

10. Forward RF Amplifier Module WOS-WA-1200PR-4K

1. Product Overview

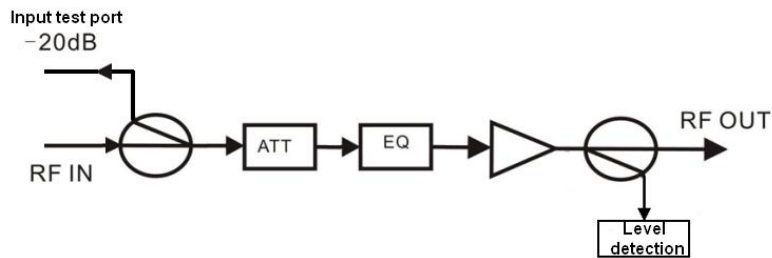
This product can be used as the amplification of gain or RF signal after the combination of multi-RF signals combining in the front-end system. It has 0-20dB adjustable equalization and 0-20dB adjustable attenuation.



2. Performance Characteristics

- Support hot swap.
- Frequency range: 5-1003MHz.
- Front panel RF input test port.
- RF output power detection.
- Internal temperature detection and monitoring functions.

3. Block Diagram



4. Technical Parameters

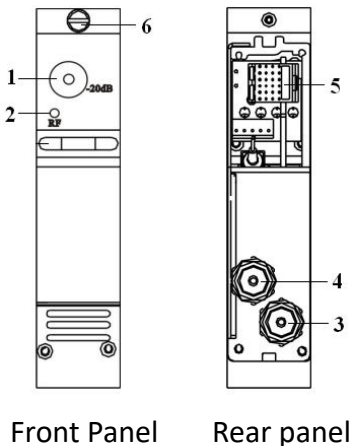
Item	Unit	Parameter	
Frequency range	MHz	45~870/1003	
Rated gain	dB	≥20	
Flatness in band	dB	±0.75	
Return loss	dB	>16	
Rated input level	dBμV	78	
Rated output level	dBμV	98	
Gain adjustment range	dB	0~15, 1dB stepping	
Equalization adjustment range	dB	0~15, 1dB stepping	
Noise figure	dB	≤10	
C/CTB	dB	≥74	84CH analog signal, output 98dBuV, EQ: 6dB
C/CSO	dB	≥70	
Test point	dB	-20±1	
Maximum power consumption	W	≤10	
Operating temperature	℃	-5~+55	
Storage temperature	℃	-30~+70	
Weight	Kg	1	

5. Operation instructions of the display menu

Once the module is installed, the corresponding slot in the display menu will highlight the module which is online. After entering the submenu, the following parameters can be seen:

RFOutput	xx.xdBuV	Output level
RF-ATT	xdB	Attenuation, range: 0~15, 1dB stepping
RF-EQ	xdB	Equilibrium, range : 0~15, 1dB stepping
ChanNum	xx	Channel numbers, range 0~100
DevTemp	xx.x°C	Module temperature
SN	xxxxxx	Serial number
Version	x.xx	Software version number
WorkTime	x.xHour	Total operating hours of the equipment

6. Structure Description



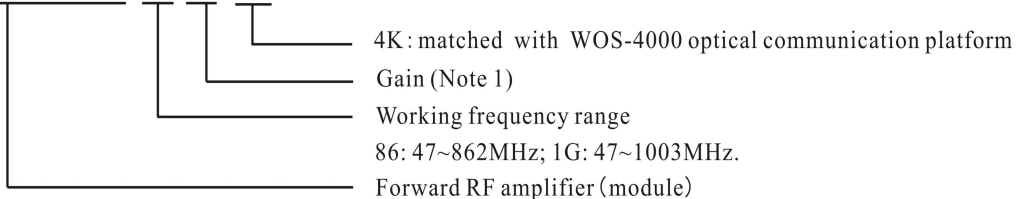
1	RF input test port	-20dB
2	RF output indicator	Green: output level 80~105dBuV Red: outside the range
3	RF signal input	Correspond to the F connector of A channel on the rear panel of rack
4	RF signal output	Correspond to the F connector of B channel on the rear panel of rack
5	Module socket	Used to connect module and rack
6	Module fixing screw	Used to fix the module

7. Installation

- This module can be installed in slots 1-16 and can be fully configured.
- Check whether the pins on the rear of the module are bent.
- Install the module in place along the guide and tighten the screws.

8. Naming Specification

WOS-WA-1200-RP-1G-XX-4K



Note 1: The rated gain is 20dB.

Note 2: This model has only 1 RF signal output.